

發明名稱： 医療用口腔支援補助器

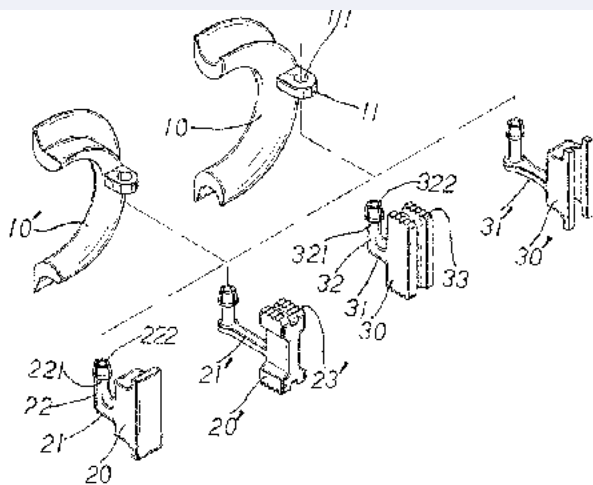
Auxiliary device for propping up mouth for medical use comprises a C-shaped lip frame and a pivotal biting block

發明名稱：	医療用口腔支援補助器
專利證書番号：	168666
出願番号：	090121935
出願日：	2001/9/4
公開番号：	513297

説明

The present invention relates to an auxiliary device for propping up mouth for medical use, particularly a device for assisting mouth to open easily for any medical treatment in the mouth. The device comprises a C-shaped lip frame and a pivotal biting block, in which the C-shaped lip frame has an U-shaped cross-section and the frame body has an outward opening and forms a protrusion ear extending towards one side from a middle bent region. A longitudinal pivotal post protrudedly installed on the connection arm, which is transversally extended, is used to assemble the longitudinal biting block to the pivotal hole of the protrusion ear of the C-shaped lip frame so that the biting block can extend into the mouth to be fastened by biting by the teeth in order to support the C-shaped lip frame to prop up the lip on the outer edge of the mouth.

図



第1圖